

3.1 mmD Eztetic™ Dental Implant

Beauty Now And Beyond

Restorative Stability And Simplicity

- User-friendly restorative options are available to meet your prosthetic needs
- Conical Double Friction-Fit™ Connection designed to deliver precision and stability
- Contour Abutment's emergence profile designed to provide space for soft tissue and esthetic emergence of the restoration

Immediate Aesthetics

- Implant geometry and surgical protocol designed for high primary stability¹
- Immediate placement and immediate provisionalization indicated when clinically appropriate*

* Immediate loading is indicated when there is good primary stability and an appropriate occlusal load

Designed For Long-lasting Results

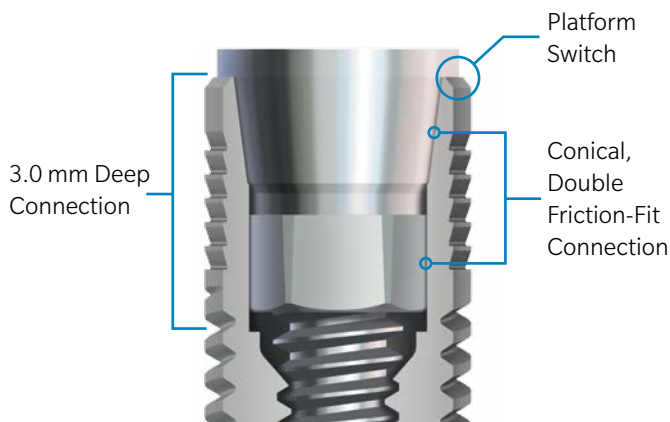
- Implant's coronal design along with integrated platform switching and a precise implant-to-abutment connection are designed to aid in crestal bone maintenance²
- The implant design features have been combined for exceptional strength¹ compared to other commercially available narrow implants



Three Principles In One Connection

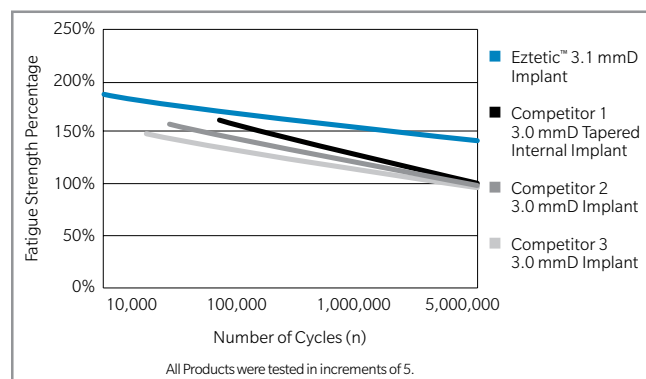
For the first time, a **Conical Connection**, **Double Friction-Fit** connection and **Platform Switch** have been combined to create a state-of-the-art abutment connection.

- Designed to reduce micromovement and microleakage via a precise implant-abutment interface, aiming to aid in crestal bone maintenance and abutment stability
- A long, 3.0 mm conical connection distributes forces deep into the implant, designed to reduce stresses on crestal bone



Implant Fatigue Strength¹

The 3.1 mmD Eztetic Implants achieved 43% higher fatigue strength compared to selected competitive implants of similar diameters.¹



1. Data on file.
2. Shin SY, Han DH. Influence of a microgrooved collar design on soft and hard tissue healing of immediate implantation in fresh extraction sites in dogs. Clin Oral Implants Res. 2010;21:804-814.

Simply Seated

1. Align the abutment hex with implant hex and apply light vertical force.
2. Engagement of the abutment screw indicates accurate alignment.
3. Torque the abutment to 30 Ncm to ensure the abutment is fully seated.

Explore The Restorative Offerings



Tissue Healing, Impression Transfer and Provisional Restorations



Cement-Retained Restorations



Overdentures



Custom and CAD/CAM Abutments*

*Not available in all markets

Contact us at 1-800-342-5454 or visit zimmerbiometdental.com

Zimmer Biomet Dental
Global Headquarters
4555 Riverside Drive
Palm Beach Gardens, FL 33410
Tel: +1-561-776-6700
Fax: +1-561-776-1272

All references to Zimmer Biomet Dental contained herein refer to the dental subsidiaries of Zimmer Biomet Holdings, Inc. Unless otherwise indicated, as referenced herein, all trademarks are the property of Zimmer Biomet; and all products are manufactured, distributed and marketed by Zimmer Biomet Dental (and, in the case of distribution and marketing, its authorized marketing partners). Eztetic Dental Implant is manufactured and distributed by Zimmer Dental, Inc. For additional product information, please refer to the individual product labeling/IFU. Product clearance and availability may be limited to certain countries/regions. This material is intended for clinicians only and does not comprise medical advice or recommendations. This material may not be copied or reprinted without the express written consent of Zimmer Biomet. ZB0008 REV A 11/16 ©2016 Zimmer Biomet, All rights reserved.

